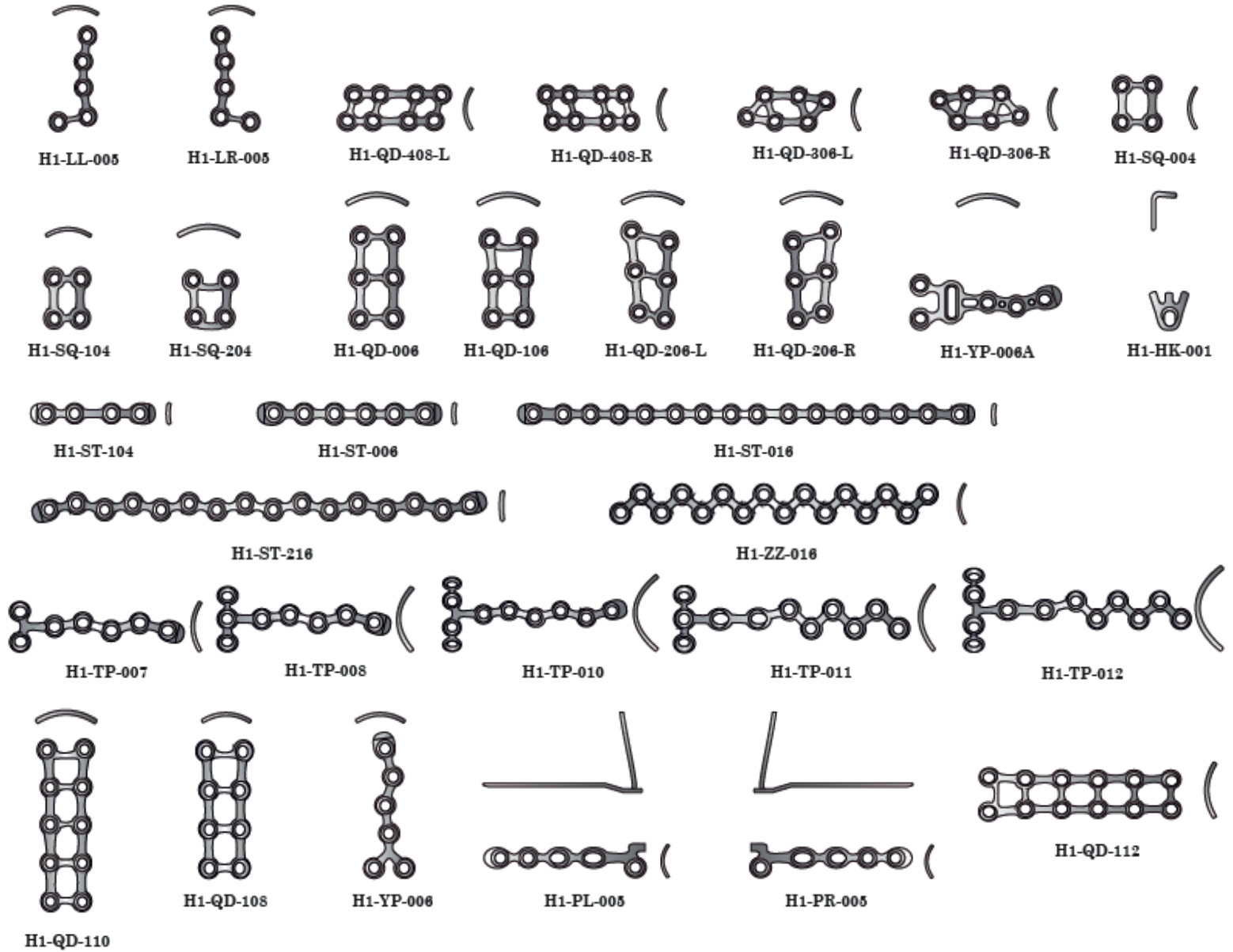




IMPLANTES PARA CIRUGÍA DE MANO



Placas Sistema 1.5

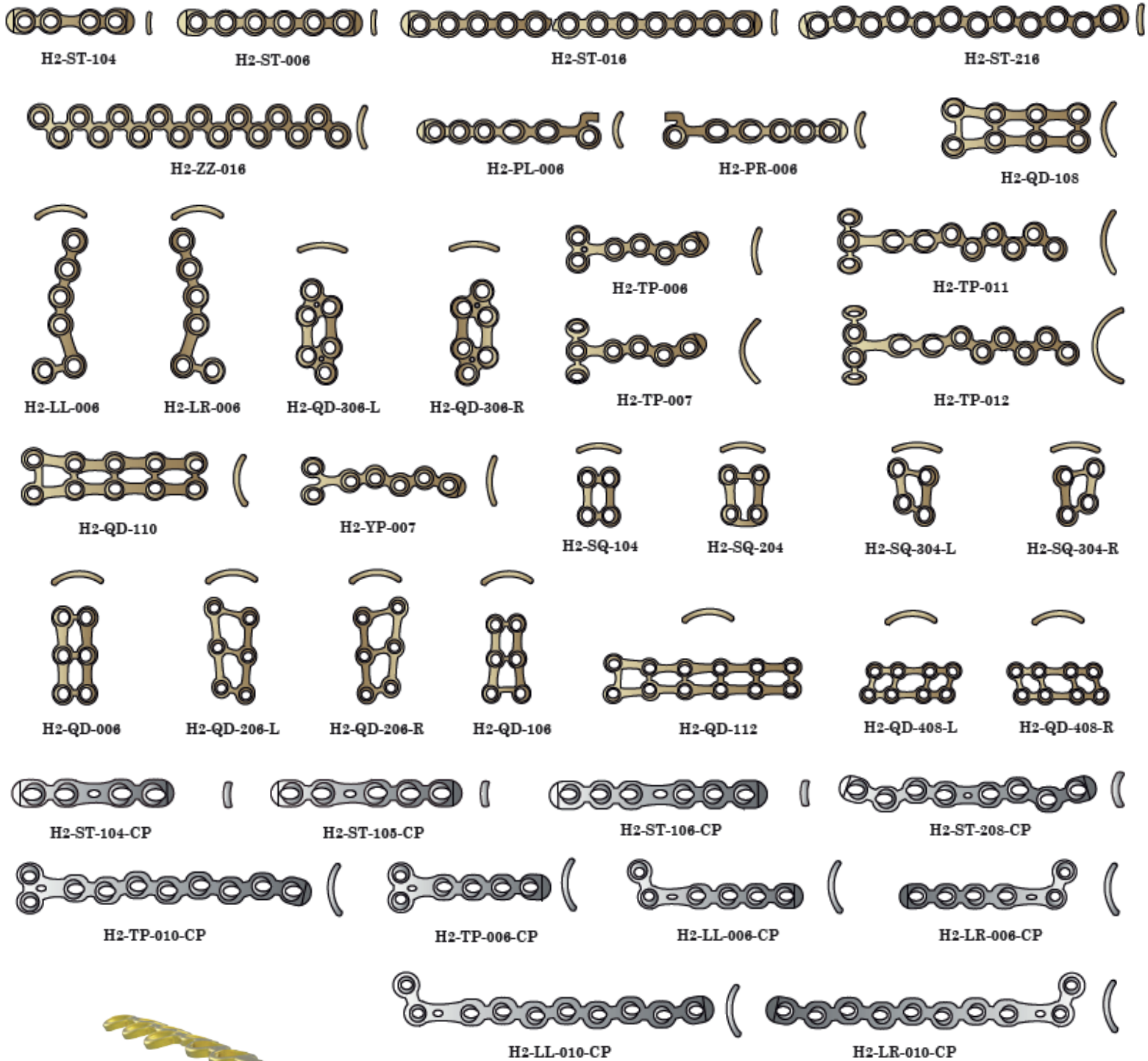


BROCAS
 112-12-302 / 1.0 MM
 112.15.302 / 1.2 MM
 112-12-302-L / 1.3 MM
 112-15-302-L / 1.6 MM

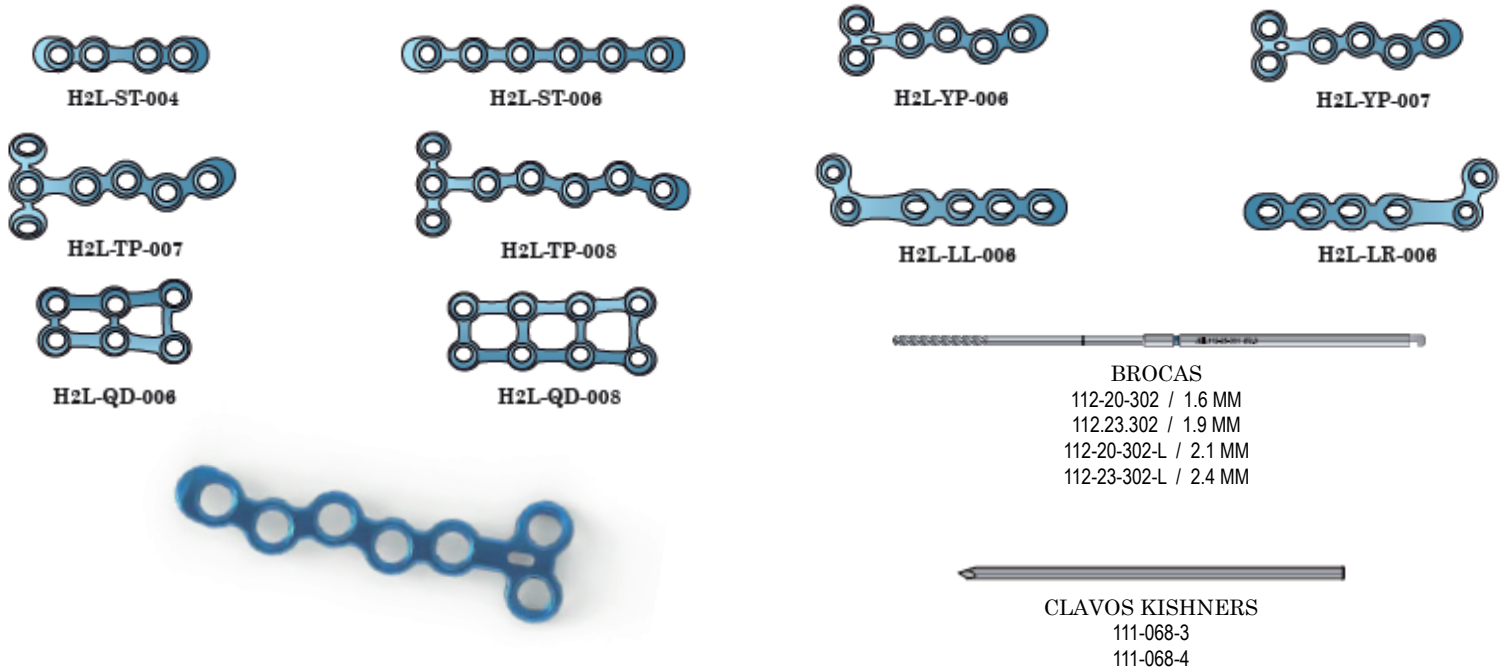


CLAVOS KISHNERS
 111-068-1
 111-068-2

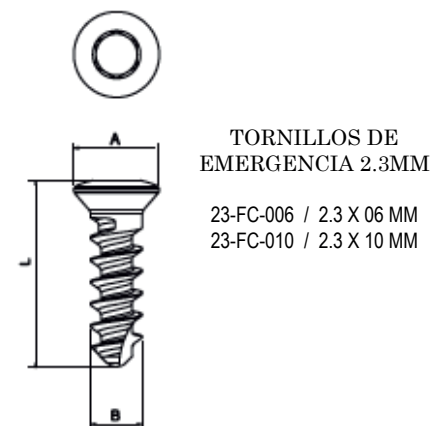
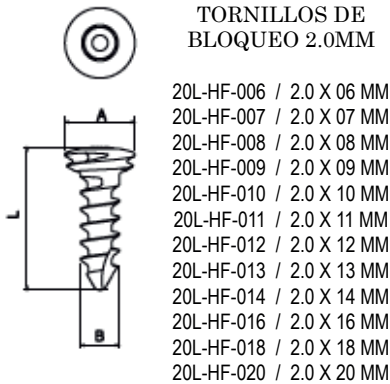
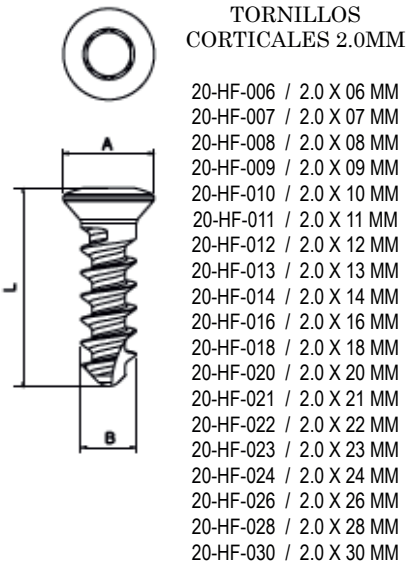
Placas Sistema 2.0 y 2.3



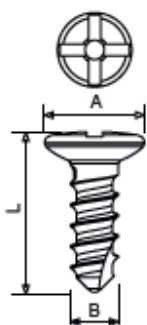
Placas de Bloqueo Sistema 2.0



Tornillos de Bloqueo

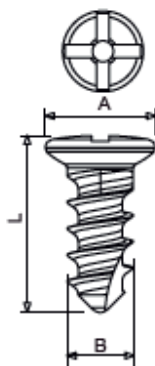


Tornillos Corticales H1



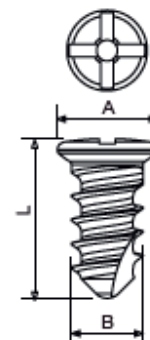
TORNILLOS CORTICALES 1.2MM

12-HC-004 / 1.2 X 04 MM
 12-HC-005 / 1.2 X 05 MM
 12-HC-006 / 1.2 X 06 MM
 12-HC-007 / 1.2 X 07 MM
 12-HC-008 / 1.2 X 08 MM
 12-HC-009 / 1.2 X 09 MM
 12-HC-010 / 1.2 X 10 MM
 12-HC-011 / 1.2 X 11 MM
 12-HC-012 / 1.2 X 12 MM
 12-HC-013 / 1.2 X 13 MM
 12-HC-014 / 1.2 X 14 MM
 12-HC-016 / 1.2 X 16 MM
 12-HC-018 / 1.2 X 18 MM
 12-HC-020 / 1.2 X 20 MM



TORNILLOS CORTICALES 1.5MM

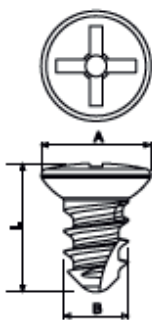
15-HC-004 / 1.5 X 04 MM
 15-HC-005 / 1.5 X 05 MM
 15-HC-006 / 1.5 X 06 MM
 15-HC-007 / 1.5 X 07 MM
 15-HC-008 / 1.5 X 08 MM
 15-HC-009 / 1.5 X 09 MM
 15-HC-010 / 1.5 X 10 MM
 15-HC-011 / 1.5 X 11 MM
 15-HC-012 / 1.5 X 12 MM
 15-HC-013 / 1.5 X 13 MM
 15-HC-014 / 1.5 X 14 MM
 15-HC-015 / 1.5 X 25 MM
 15-HC-016 / 1.5 X 16 MM
 15-HC-017 / 1.5 X 17 MM
 15-HC-018 / 1.5 X 18 MM
 15-HC-019 / 1.5 X 19 MM
 15-HC-020 / 1.5 X 20 MM
 15-HC-021 / 1.5 X 21 MM
 15-HC-022 / 1.5 X 22 MM



TORNILLOS DE EMERGENCIA 1.8MM

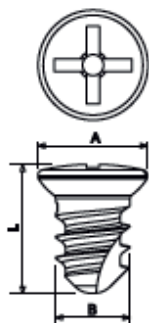
18-HC-006 / 1.8 X 06 MM
 18-HC-010 / 1.8 X 10 MM

Tornillos Corticales H2



TORNILLOS CORTICALES 2.0MM

20-HC-004 / 2.0 X 04 MM
 20-HC-005 / 2.0 X 05 MM
 20-HC-006 / 2.0 X 06 MM
 20-HC-007 / 2.0 X 07 MM
 20-HC-008 / 2.0 X 08 MM
 20-HC-009 / 2.0 X 09 MM
 20-HC-010 / 2.0 X 10 MM
 20-HC-011 / 2.0 X 11 MM
 20-HC-012 / 2.0 X 12 MM
 20-HC-013 / 2.0 X 13 MM
 20-HC-014 / 2.0 X 14 MM
 20-HC-015 / 2.0 X 15 MM
 20-HC-016 / 2.0 X 16 MM
 20-HC-017 / 2.0 X 17 MM
 20-HC-018 / 2.0 X 18 MM
 20-HC-019 / 2.0 X 19 MM
 20-HC-020 / 2.0 X 20 MM
 20-HC-021 / 2.0 X 21 MM
 20-HC-022 / 2.0 X 22 MM
 20-HC-023 / 2.0 X 23 MM
 20-HC-024 / 2.0 X 24 MM



TORNILLOS CORTICALES 2.3MM

23-HC-005 / 2.3 X 05 MM
 23-HC-006 / 2.3 X 06 MM
 23-HC-007 / 2.3 X 07 MM
 23-HC-008 / 2.3 X 08 MM
 23-HC-009 / 2.3 X 09 MM
 23-HC-010 / 2.3 X 10 MM
 23-HC-011 / 2.3 X 11 MM
 23-HC-012 / 2.3 X 12 MM
 23-HC-013 / 2.3 X 13 MM
 23-HC-014 / 2.3 X 14 MM
 23-HC-015 / 2.3 X 15 MM
 23-HC-016 / 2.3 X 16 MM
 23-HC-017 / 2.3 X 17 MM
 23-HC-018 / 2.3 X 18 MM
 23-HC-019 / 2.3 X 19 MM
 23-HC-020 / 2.3 X 20 MM
 23-HC-021 / 2.3 X 21 MM
 23-HC-022 / 2.3 X 22 MM
 23-HC-023 / 2.3 X 23 MM
 23-HC-024 / 2.3 X 24 MM
 23-HC-025 / 2.3 X 25 MM
 23-HC-026 / 2.3 X 26 MM
 23-HC-027 / 2.3 X 27 MM
 23-HC-028 / 2.3 X 28 MM
 23-HC-029 / 2.3 X 29 MM
 23-HC-030 / 2.3 X 30 MM
 23-HC-032 / 2.3 X 32 MM
 23-HC-034 / 2.3 X 34 MM



TORNILLOS DE EMERGENCIA 2.5MM

25-HC-006 / 2.5 X 06 MM
 25-HC-010 / 2.5 X 10 MM



IMPLANTES PARA CIRUGÍA DE RADIO DISTAL



Placas



25-DVRA-111-L



25-DVRA-110-L



111-082-L



25-DVRA-109-L



111-082-R



25-DVRA-109-R



25-DVRA-110-R



25-DVRA-111-R



25-DVRA-211-L



25-DVRA-210-L



111-083-L



25-DVRA-209-L



111-083-R



25-DVRA-209-R



25-DVRA-210-R



25-DVRA-211-R



25-DVRA-311-L



25-DVRA-310-L



111-095-L



25-DVRA-309-L



111-095-R



25-DVRA-309-R



25-DVRA-310-R



25-DVRA-311-R

Tornillos

2.5 mm Tornillos corticales

Código	Diametro de cabeza	Diametro externo	Longitud
25-HF-008	Ø3.7	Ø2.5	8
25-HF-010			10
25-HF-012			12
25-HF-014			14
25-HF-016			16
25-HF-018			18
25-HF-020			20
25-HF-022			22
25-HF-024			24
25-HF-026			26
25-HF-028			28
25-HF-030			30

2.5 mm Tornillos de bloqueo

Código	Diametro de cabeza	Diametro externo	Longitud
161.032508	Ø3.8	Ø2.5	8
161.032510			10
161.032512			12
161.032514			14
161.032516			16
161.032518			18
161.032520			20
161.032522			22
161.032524			24
161.032526			26
161.032528			28
161.032530			30



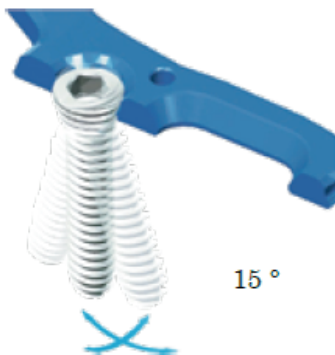
BROCAS
112-25-301 / 2.2 MM



CLAVOS KISHNERS
111-068-1 / 111-068-2



Tecnología de bloqueo con ángulo variable



15 °

Los orificios permiten hasta 15 ° fuera del eje de angulación del tornillo, en todas las direcciones.



Prominencia mínima de la cabeza del tornillo.
Cabeza de tornillo redondeada

Bordes de placa redondeados

Bajo perfil general



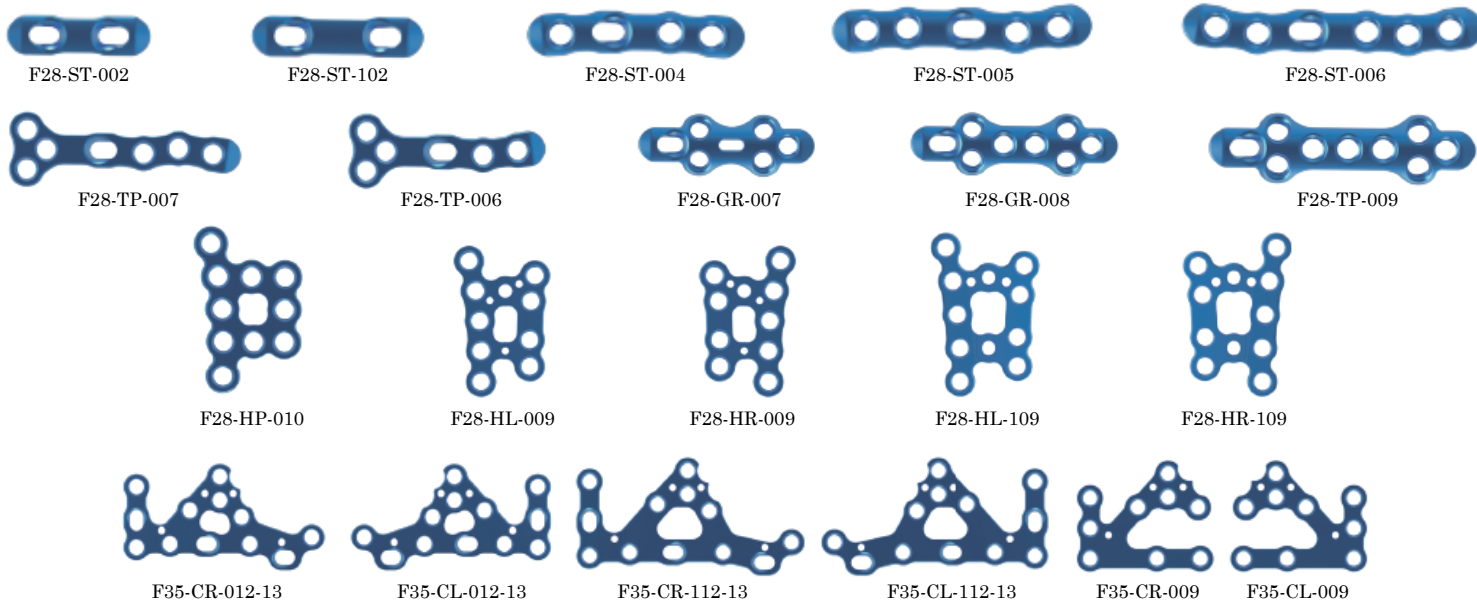
IMPLANTES PARA CIRUGÍA DE PIE



www.smorthopedic.com

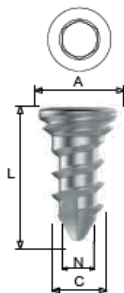


Placas



Tornillos

TORNILLOS DE BLOQUEO 2.8MM



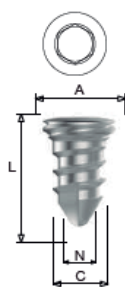
28L-HF-008 / 2.8 X 08 MM
 28L-HF-010 / 2.8 X 10 MM
 28L-HF-012 / 2.8 X 12 MM
 28L-HF-014 / 2.8 X 14 MM
 28L-HF-016 / 2.8 X 16 MM
 28L-HF-018 / 2.8 X 18 MM
 28L-HF-020 / 2.8 X 20 MM
 28L-HF-022 / 2.8 X 22 MM
 28L-HF-024 / 2.8 X 24 MM
 28L-HF-026 / 2.8 X 26 MM
 28L-HF-028 / 2.8 X 28 MM
 28L-HF-030 / 2.8 X 30 MM
 28L-HF-032 / 2.8 X 32 MM
 28L-HF-034 / 2.8 X 34 MM
 28L-HF-036 / 2.8 X 36 MM
 28L-HF-038 / 2.8 X 38 MM
 28L-HF-040 / 2.8 X 40 MM
 28L-HF-045 / 2.8 X 45 MM

TORNILLOS CORTICALES 2.8MM



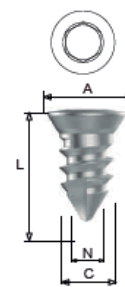
28-FC-008 / 2.8 X 08 MM
 28-FC-010 / 2.8 X 10 MM
 28-FC-012 / 2.8 X 12 MM
 28-FC-014 / 2.8 X 14 MM
 28-FC-016 / 2.8 X 16 MM
 28-FC-018 / 2.8 X 18 MM
 28-FC-020 / 2.8 X 20 MM
 28-FC-022 / 2.8 X 22 MM
 28-FC-024 / 2.8 X 24 MM
 28-FC-026 / 2.8 X 26 MM
 28-FC-028 / 2.8 X 28 MM
 28-FC-030 / 2.8 X 30 MM
 28-FC-032 / 2.8 X 32 MM
 28-FC-034 / 2.8 X 34 MM
 28-FC-036 / 2.8 X 36 MM
 28-FC-038 / 2.8 X 38 MM
 28-FC-040 / 2.8 X 40 MM
 28-FC-045 / 2.8 X 45 MM

TORNILLOS DE BLOQUEO 3.5MM



35L-HF-010 / 3.5 X 10 MM
 35L-HF-012 / 3.5 X 12 MM
 35L-HF-014 / 3.5 X 14 MM
 35L-HF-016 / 3.5 X 16 MM
 35L-HF-018 / 3.5 X 18 MM
 35L-HF-020 / 3.5 X 20 MM
 35L-HF-022 / 3.5 X 22 MM
 35L-HF-024 / 3.5 X 24 MM
 35L-HF-028 / 3.5 X 28 MM
 35L-HF-032 / 3.5 X 32 MM
 35L-HF-036 / 3.5 X 36 MM
 35L-HF-040 / 3.5 X 40 MM
 35L-HF-045 / 3.5 X 45 MM
 35L-HF-050 / 3.5 X 50 MM

TORNILLOS CORTICALES 3.5MM



35-FC-010 / 3.5 X 10 MM
 35-FC-012 / 3.5 X 12 MM
 35-FC-014 / 3.5 X 14 MM
 35-FC-016 / 3.5 X 16 MM
 35-FC-018 / 3.5 X 18 MM
 35-FC-020 / 3.5 X 20 MM
 35-FC-022 / 3.5 X 22 MM
 35-FC-024 / 3.5 X 24 MM
 35-FC-028 / 3.5 X 28 MM
 35-FC-032 / 3.5 X 32 MM
 35-FC-036 / 3.5 X 36 MM
 35-FC-040 / 3.5 X 40 MM
 35-FC-045 / 3.5 X 45 MM
 35-FC-050 / 3.5 X 50 MM



BROCAS
 112-28-601 / 2.8 MM
 112-35-601 / 3.5 MM
 112-28-601-L / 2.8 MM
 112-35-601-L / 3.5 MM



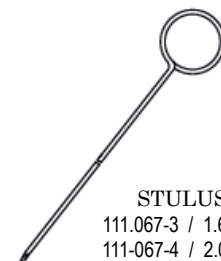
BROCAS AVELLANADORA
 111-072



CLAVOS KISHNERS
 111-068-3 / 1.6 MM
 111-068-4 / 2.0 MM



ARANDELAS
 111-069-1 / 4.5 MM
 111-069-2 / 6.0 MM



STULUS
 111-067-3 / 1.6 MM
 111-067-4 / 2.0 MM

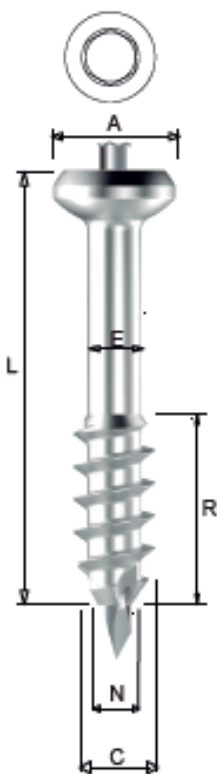
Tornillos Canulados 2.3

TORNILLOS CANULADOS ROSCA CORTA 2.3MM

23-CS-020 / 2.3 X 20 MM
 23-CS-022 / 2.3 X 22 MM
 23-CS-024 / 2.3 X 24 MM
 23-CS-026 / 2.3 X 26 MM
 23-CS-028 / 2.3 X 28 MM
 23-CS-030 / 2.3 X 30 MM
 23-CS-035 / 2.3 X 35 MM

TORNILLOS CANULADOS ROSCA LARGA 2.3MM

23-CS-009L / 2.3 X 32 MM
 23-CS-010L / 2.3 X 34 MM
 23-CS-011L / 2.3 X 36 MM
 23-CS-012L / 2.3 X 38 MM
 23-CS-013L / 2.3 X 40 MM
 23-CS-014L / 2.3 X 14 MM
 23-CS-015L / 2.3 X 15 MM
 23-CS-016L / 2.3 X 16 MM
 23-CS-017L / 2.3 X 17 MM
 23-CS-018L / 2.3 X 18 MM
 23-CS-019L / 2.3 X 19 MM
 23-CS-020L / 2.3 X 20 MM
 23-CS-022L / 2.3 X 22 MM
 23-CS-024L / 2.3 X 24 MM
 23-CS-026L / 2.3 X 26 MM
 23-CS-028L / 2.3 X 28 MM
 23-CS-030L / 2.3 X 29 MM
 23-CS-035L / 2.3 X 30 MM



TORNILLOS CANULADOS ROSCA CORTA SIN CABEZA 2.3MM

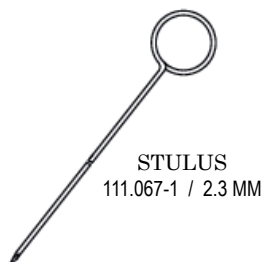
23-CH-009 / 2.3 X 09 MM
 23-CH-010 / 2.3 X 10 MM
 23-CH-011 / 2.3 X 11 MM
 23-CH-012 / 2.3 X 12 MM
 23-CH-013 / 2.3 X 13 MM
 23-CH-014 / 2.3 X 14 MM
 23-CH-015 / 2.3 X 15 MM
 23-CH-016 / 2.3 X 16 MM
 23-CH-017 / 2.3 X 17 MM
 23-CH-018 / 2.3 X 18 MM
 23-CH-019 / 2.3 X 19 MM
 23-CH-020 / 2.3 X 20 MM
 23-CH-021 / 2.3 X 21 MM
 23-CH-022 / 2.3 X 22 MM
 23-CH-023 / 2.3 X 23 MM
 23-CH-024 / 2.3 X 24 MM
 23-CH-025 / 2.3 X 25 MM
 23-CH-026 / 2.3 X 26 MM
 23-CH-027 / 2.3 X 27 MM
 23-CH-028 / 2.3 X 28 MM
 23-CH-029 / 2.3 X 29 MM
 23-CH-030 / 2.3 X 30 MM
 23-CH-035 / 2.3 X 35 MM

TORNILLOS CANULADOS ROSCA LARGA SIN CABEZA 2.3MM

23-CH-016L / 2.3 X 16 MM
 23-CH-017L / 2.3 X 17 MM
 23-CH-018L / 2.3 X 18 MM
 23-CH-019L / 2.3 X 19 MM
 23-CH-020L / 2.3 X 20 MM
 23-CH-022L / 2.3 X 22 MM
 23-CH-024L / 2.3 X 24 MM
 23-CH-026L / 2.3 X 26 MM
 23-CH-028L / 2.3 X 28 MM
 23-CH-030L / 2.3 X 30 MM
 23-CH-035L / 2.3 X 35 MM



BROCAS
112-26-601 / 2.3 MM

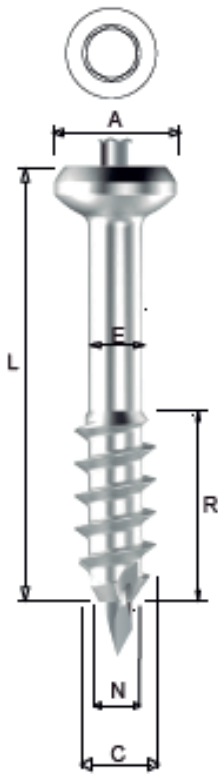


STULUS
111.067-1 / 2.3 MM

Tornillos Canulados 3.0

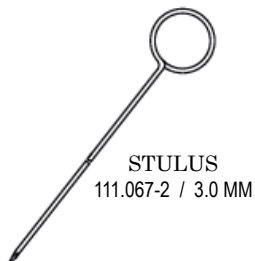
TORNILLOS CANULADOS ROSCA CORTA 3.0MM

30-CS-008 / 3.0 X 08 MM
 30-CS-009 / 3.0 X 09 MM
 30-CS-010 / 3.0 X 10 MM
 30-CS-011 / 3.0 X 11 MM
 30-CS-012 / 3.0 X 12 MM
 30-CS-013 / 3.0 X 13 MM
 30-CS-014 / 3.0 X 14 MM
 30-CS-015 / 3.0 X 15 MM
 30-CS-016 / 3.0 X 16 MM
 30-CS-017 / 3.0 X 17 MM
 30-CS-018 / 3.0 X 18 MM
 30-CS-019 / 3.0 X 19 MM
 30-CS-020 / 3.0 X 20 MM
 30-CS-021 / 3.0 X 21 MM
 30-CS-022 / 3.0 X 22 MM
 30-CS-023 / 3.0 X 23 MM
 30-CS-024 / 3.0 X 24 MM
 30-CS-025 / 3.0 X 25 MM
 30-CS-026 / 3.0 X 26 MM
 30-CS-027 / 3.0 X 27 MM
 30-CS-028 / 3.0 X 28 MM
 30-CS-029 / 3.0 X 29 MM
 30-CS-030 / 3.0 X 30 MM
 30-CS-032 / 3.0 X 32 MM
 30-CS-034 / 3.0 X 34 MM
 30-CS-036 / 3.0 X 36 MM
 30-CS-038 / 3.0 X 38 MM
 30-CS-040 / 3.0 X 40 MM
 30-CS-045 / 3.0 X 45 MM
 30-CS-050 / 3.0 X 50 MM



TORNILLOS CANULADOS ROSCA LARGA 3.0MM

30-CS-014L / 3.0 X 14 MM
 30-CS-015L / 3.0 X 15 MM
 30-CS-016L / 3.0 X 16 MM
 30-CS-017L / 3.0 X 17 MM
 30-CS-018L / 3.0 X 18 MM
 30-CS-019L / 3.0 X 19 MM
 30-CS-020L / 3.0 X 20 MM
 30-CS-021L / 3.0 X 21 MM
 30-CS-022L / 3.0 X 22 MM
 30-CS-023L / 3.0 X 23 MM
 30-CS-024L / 3.0 X 24 MM
 30-CS-025L / 3.0 X 25 MM
 30-CS-026L / 3.0 X 26 MM
 30-CS-027L / 3.0 X 27 MM
 30-CS-028L / 3.0 X 28 MM
 30-CS-029L / 3.0 X 29 MM
 30-CS-030L / 3.0 X 30 MM
 30-CS-032L / 3.0 X 32 MM
 30-CS-034L / 3.0 X 34 MM
 30-CS-036L / 3.0 X 36 MM
 30-CS-038L / 3.0 X 38 MM
 30-CS-040L / 3.0 X 40 MM
 30-CS-045L / 3.0 X 45 MM
 30-CS-050L / 3.0 X 50 MM



TORNILLOS CANULADOS ROSCA CORTA SIN CABEZA 3.0MM

30-CH-010 / 3.0 X 10 MM
 30-CH-011 / 3.0 X 11 MM
 30-CH-012 / 3.0 X 12 MM
 30-CH-013 / 3.0 X 13 MM
 30-CH-014 / 3.0 X 14 MM
 30-CH-015 / 3.0 X 15 MM
 30-CH-016 / 3.0 X 16 MM
 30-CH-017 / 3.0 X 17 MM
 30-CH-018 / 3.0 X 18 MM
 30-CH-019 / 3.0 X 19 MM
 30-CH-020 / 3.0 X 20 MM
 30-CH-021 / 3.0 X 21 MM
 30-CH-022 / 3.0 X 22 MM
 30-CH-023 / 3.0 X 23 MM
 30-CH-024 / 3.0 X 24 MM
 30-CH-025 / 3.0 X 25 MM
 30-CH-026 / 3.0 X 26 MM
 30-CH-027 / 3.0 X 27 MM
 30-CH-028 / 3.0 X 28 MM
 30-CH-029 / 3.0 X 29 MM
 30-CH-030 / 3.0 X 30 MM
 30-CH-032 / 3.0 X 32 MM
 30-CH-034 / 3.0 X 34 MM
 30-CH-036 / 3.0 X 36 MM
 30-CH-038 / 3.0 X 38 MM
 30-CH-040 / 3.0 X 40 MM
 30-CH-045 / 3.0 X 45 MM
 30-CH-050 / 3.0 X 50 MM

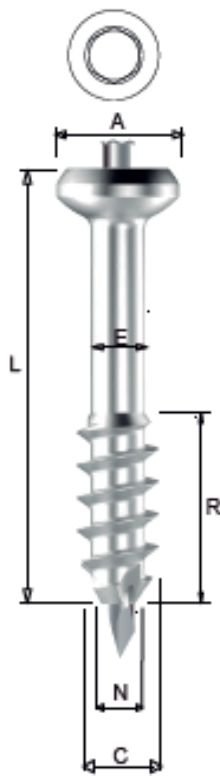


TORNILLOS CANULADOS ROSCA LARGA SIN CABEZA 3.0MM

30-CH-016L / 3.0 X 16 MM
 30-CH-017L / 3.0 X 17 MM
 30-CH-018L / 3.0 X 18 MM
 30-CH-019L / 3.0 X 19 MM
 30-CH-020L / 3.0 X 20 MM
 30-CH-021L / 3.0 X 21 MM
 30-CH-022L / 3.0 X 22 MM
 30-CH-023L / 3.0 X 23 MM
 30-CH-024L / 3.0 X 24 MM
 30-CH-025L / 3.0 X 25 MM
 30-CH-026L / 3.0 X 26 MM
 30-CH-027L / 3.0 X 27 MM
 30-CH-028L / 3.0 X 28 MM
 30-CH-029L / 3.0 X 29 MM
 30-CH-030L / 3.0 X 30 MM
 30-CH-032L / 3.0 X 32 MM
 30-CH-034L / 3.0 X 34 MM
 30-CH-036L / 3.0 X 36 MM
 30-CH-038L / 3.0 X 38 MM
 30-CH-040L / 3.0 X 40 MM
 30-CH-045L / 3.0 X 45 MM
 30-CH-050L / 3.0 X 50 MM

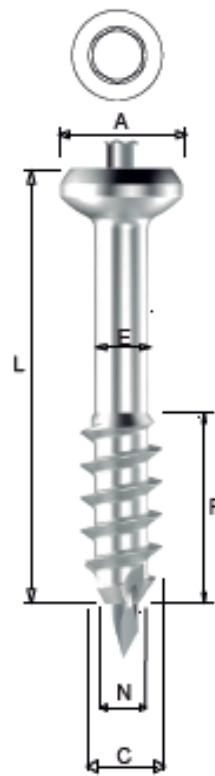


Tornillos Canulados 4.5 y 6.0



**TORNILLOS CANULADOS
ROSCA CORTA 4.5MM**

45-CS-020 / 4.5 X 20 MM
 45-CS-022 / 4.5 X 22 MM
 45-CS-024 / 4.5 X 24 MM
 45-CS-026 / 4.5 X 26 MM
 45-CS-028 / 4.5 X 28 MM
 45-CS-030 / 4.5 X 30 MM
 45-CS-032 / 4.5 X 32 MM
 45-CS-034 / 4.5 X 34 MM
 45-CS-036 / 4.5 X 36 MM
 45-CS-038 / 4.5 X 38 MM
 45-CS-040 / 4.5 X 40 MM
 45-CS-042 / 4.5 X 42 MM
 45-CS-044 / 4.5 X 44 MM
 45-CS-046 / 4.5 X 46 MM
 45-CS-048 / 4.5 X 48 MM
 45-CS-050 / 4.5 X 50 MM
 45-CS-052 / 4.5 X 52 MM
 45-CS-054 / 4.5 X 54 MM
 45-CS-056 / 4.5 X 56 MM
 45-CS-060 / 4.5 X 60 MM



**TORNILLOS CANULADOS
ROSCA CORTA 6.0MM**

60-CS-030 / 6.0 X 30 MM
 60-CS-035 / 6.0 X 35 MM
 60-CS-040 / 6.0 X 40 MM
 60-CS-045 / 6.0 X 45 MM
 60-CS-050 / 6.0 X 50 MM
 60-CS-055 / 6.0 X 55 MM
 60-CS-060 / 6.0 X 60 MM
 60-CS-065 / 6.0 X 65 MM
 60-CS-070 / 6.0 X 70 MM
 60-CS-075 / 6.0 X 75 MM
 60-CS-080 / 6.0 X 80 MM

**TORNILLOS CANULADOS
ROSCA LARGA 6.0MM**

60-CS-045L / 6.0 X 45 MM
 60-CS-050L / 6.0 X 50 MM
 60-CS-055L / 6.0 X 55 MM
 60-CS-060L / 6.0 X 60 MM
 60-CS-065L / 6.0 X 65 MM
 60-CS-070L / 6.0 X 70 MM
 60-CS-075L / 6.0 X 75 MM
 60-CS-080L / 6.0 X 80 MM



BROCAS

112-45-601 / 4.5 MM
 112-60-601 / 6.0 MM